



**10 Years Warranty**

## LGL-SPL Series

---

- \*Japan CITIZEN COB LED;
- \*Tempered glass optic lens;
- \*Suitable for light poles above 30 meters;
- \*Illuminating distance up to 100 to 500 meters;
- \*Applicable for international stadiums;
- \*Stable working 10 years warranty period;

**LumiOne**  
SMART LIGHTING SOLUTIONS



SPL-800W / 1000W / 1200W / 1500W



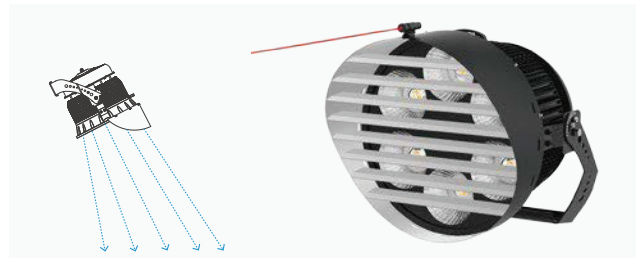
IP66 Rating



Wind Resistance  
60m/s

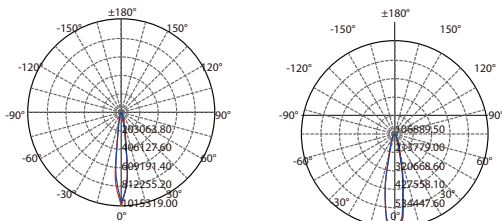


Adjustable Angle



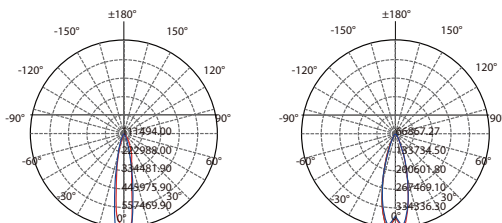
Low light loss even with long-distance lighting

## Optics



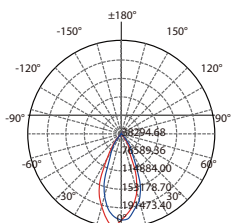
15°

20°

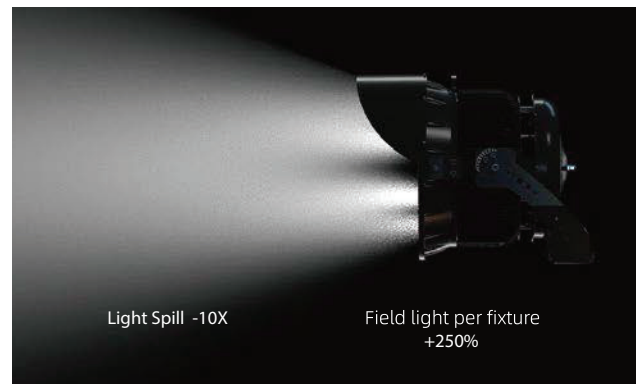


20°+ Glare Shield

30°

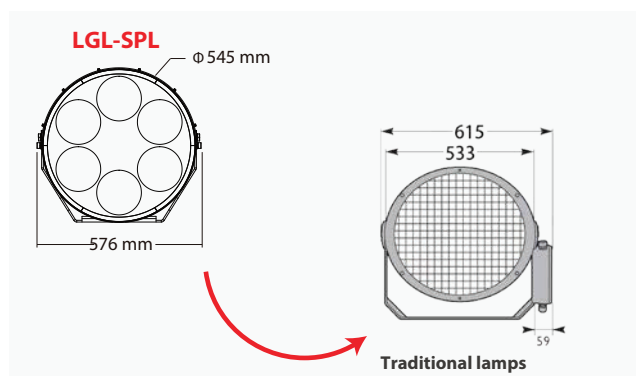


60°



Light Spill -10X

Field light per fixture  
+250%



LGL-SPL

Φ 545 mm

576 mm

615

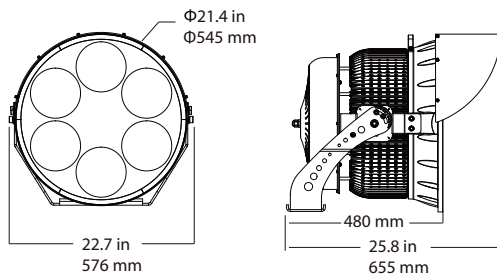
533

Traditional lamps

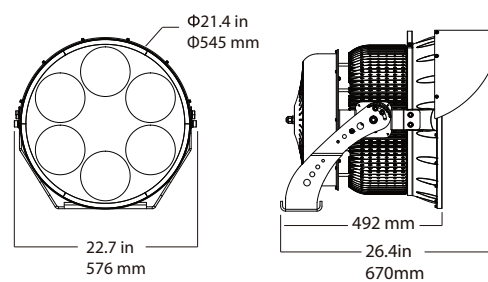
## Specification

ITEM	LED	Power Supply	Input Voltage
LGL-SPL800W /1000W /1200W /1500W	Citizen	Meanwell, Inventronics, Custom	100-277V AC /200-480V AC 50/60Hz
System Wattage	Beam Angle	CCT	CRI
800W /1000W /1200W /1500W	15°/20°/30°/60°	4000K/5000K/5700K/6500K	70/80/90+
Lifespan	Surge protection device standard	Operating Temperature	IP/IK Rating
100000H	10KV /20KV	-40°C-+50°C	IP66/IK10
Dimming	EPA	Color	LUMEN
0-10V/DALI/DMX	<b>LGL-SPL 800W</b> 4.71 sq.ft <b>LGL-SPL 1000W</b> 4.71 sq.ft <b>LGL-SPL 1200W</b> 4.71 sq.ft <b>LGL-SPL 1500W</b> 4.71 sq.ft	Black(standard) White(Chosen)	<b>LGL-SPL 800W</b> 104000LM <b>LGL-SPL 1000W</b> 130000LM <b>LGL-SPL 1200W</b> 156000LM <b>LGL-SPL 1500W</b> 195000LM

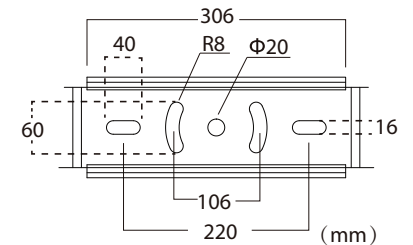
800W / 1000W / 1200W



1500W



Bracket



800W	Weight: 33 KG
	Remove driver: 27.8 KG

1000W	Weight: 33 KG
	Remove driver: 27.8 KG

1200W	Weight: 35 KG
	Remove driver: 27.8 KG

1500W	Weight: 36 KG
	Remove driver: 28.3 KG