

LED High Bay Light
LumiOne 70W-240W

190LM/W



SPECIFICATIONS

5 Years Warranty



CE RoHS



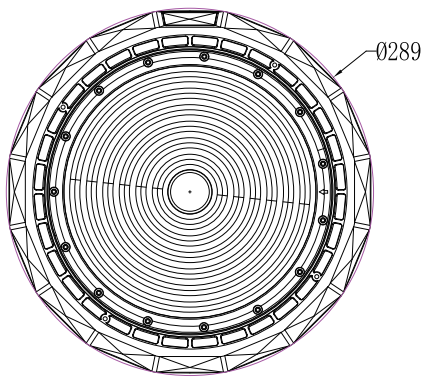
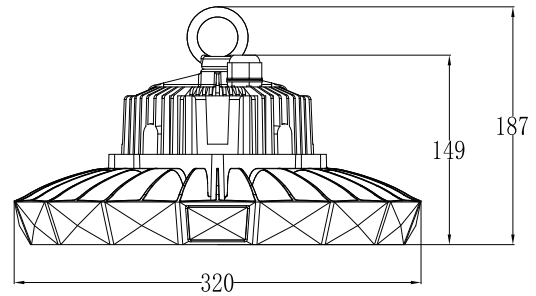
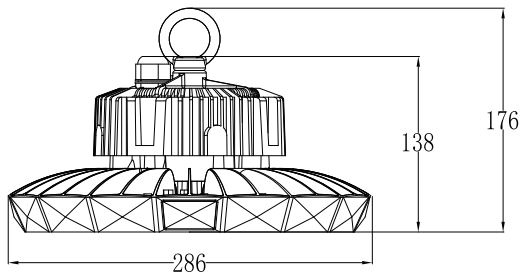
Specification

Model	SL70N4-A	SL90N4-A	SL110N4-A	SL150N4-A	SL200N4-A	SL240N4-A
PF	>0.95					
Input Voltage (V)	100-277VAC					
CRI	Ra70	Ra80	Ra70	Ra80	Ra70	Ra80
Efficacy (lm/W) ^{±5%}	190	175	190	175	190	175
Lumen output ^{±5%}	13300	12250	17100	15750	20900	19250
CCT (K)	4000K/5000K/5700K/6000K					
Dimming	Non-Dimming (Default) / 1-10V Dimming / Dali Dimming / Zigbee wireless Dimming					
Intelligent Control	Motion Sensor / Daylight Sensor / PIR Sensor					
Beam angle	60°/90°/120°					
Material	Body Aluminum+ PC Lens					
Operating Temperature	-40°C to 50°C					
Humidity	10% - 90%					
Installation	Hook Mounted, Bracket Mounted					
LED Type	2835 / 3030					
Power Supply	LumiOne					
Surge Protection	4kV line-line, 6kV line-earth					
Certification	CCC / CQC / CE / UL / RCM / RoHS / ERP / SAA / DLC					
IP Rate	IP65					
Warranty	5 Years					

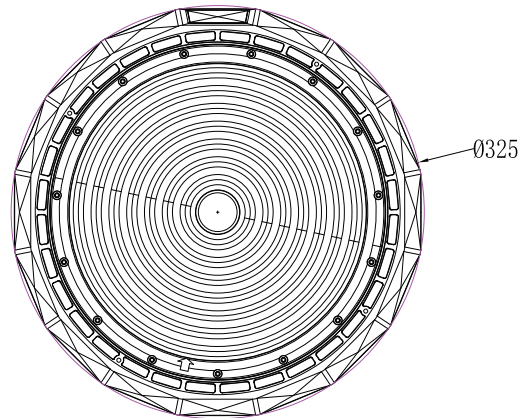
Packing

Model No.	Power	Size(mm)	Carton Size(mm)	G.W/1PCS±0.2KG
SL70N4-A	70W	φ289xH176	L320xW320xH185	3.2KG
SL90N4-A	90W	φ289xH176	L320xW320xH185	3.2KG
SL110N4-A	110W	φ289xH176	L320xW320xH185	3.2KG
SL150N4-A	150W	φ325xH187	L380xW380xH185	4.5KG
SL200N4-A	200W	φ325xH187	L380xW380xH185	4.5KG
SL240N4-A	240W	φ325xH187	L380xW380xH185	4.5KG

Specification



60-120W

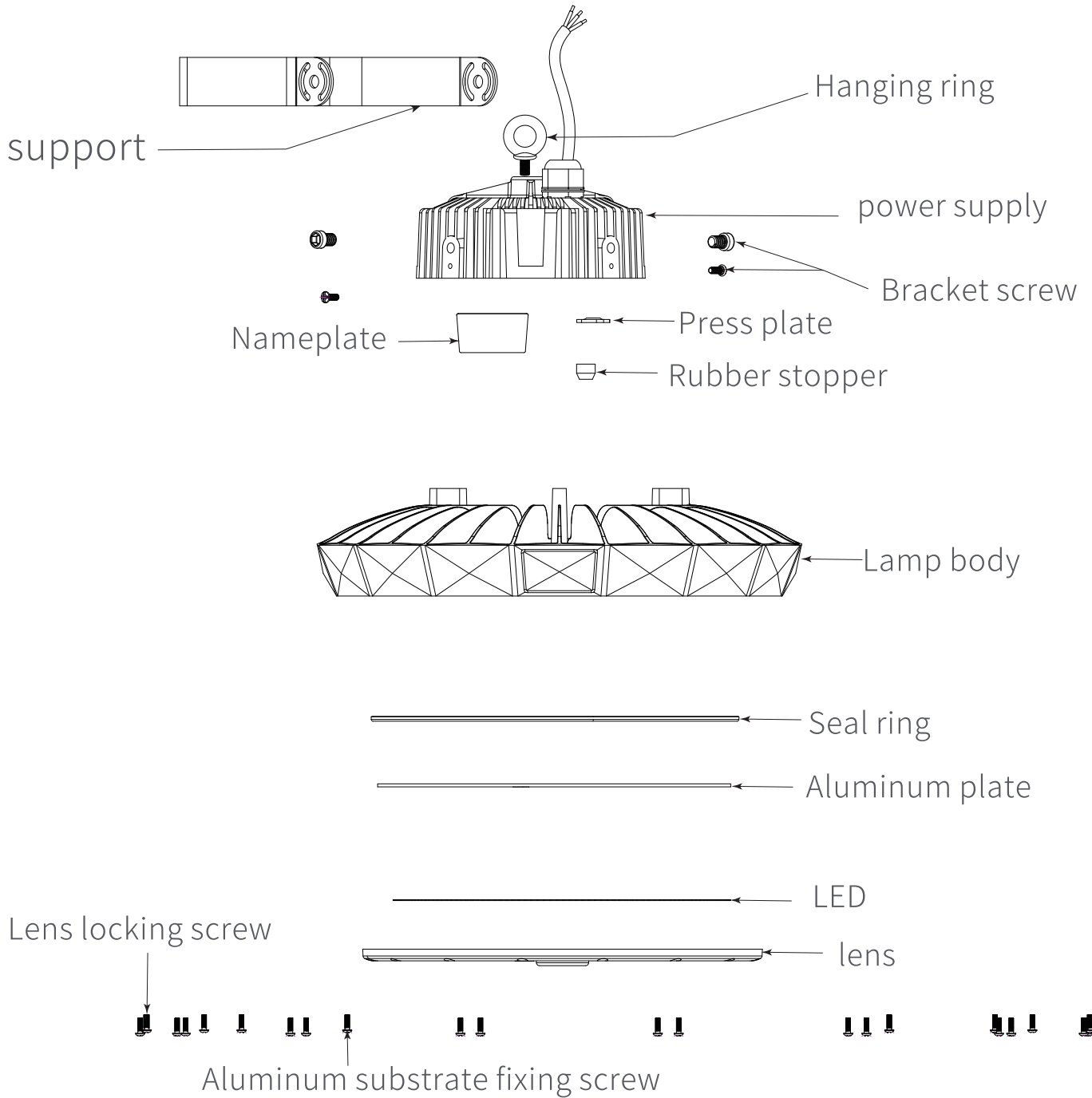


135-220W

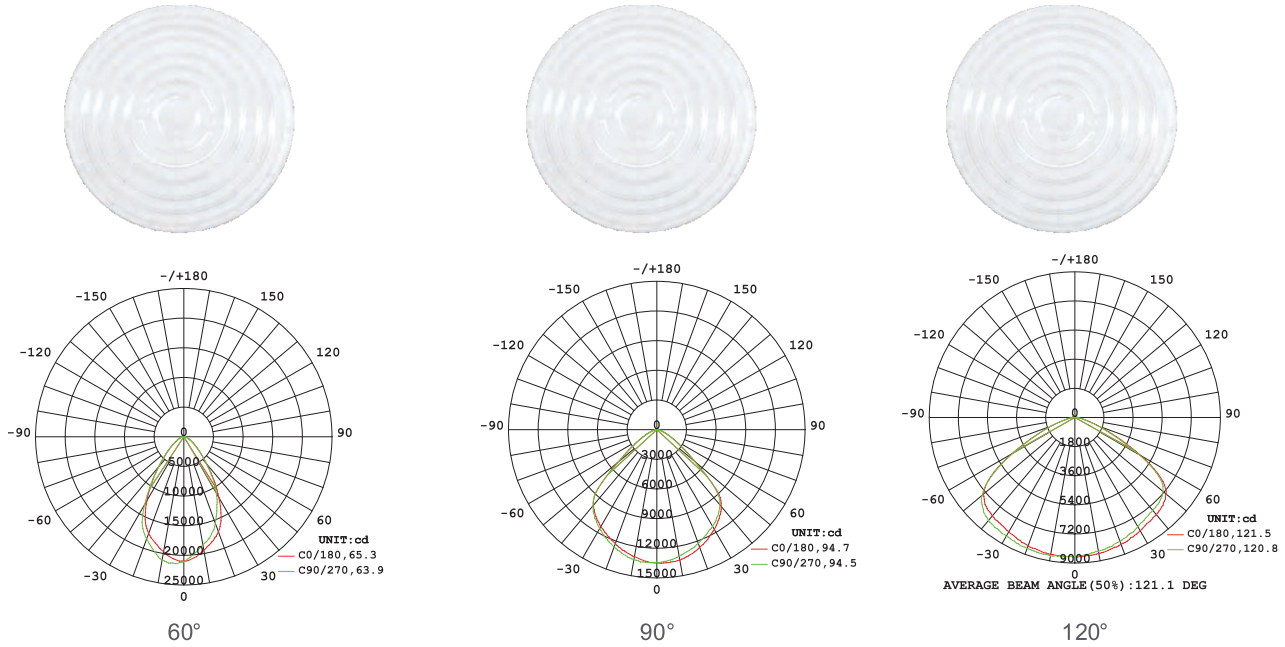
StructurePerformance

Dimension: LxHxW(mm)	φ 289x138mm/ φ 325x149mm
Housing:	Aluminum,bracket by Carbon Steel(RAL9017)
Cover:	Transparent PC
Cable Length:	300mm
IP Rate:	IP 65
IK Rate:	IK 10

Structure drawing

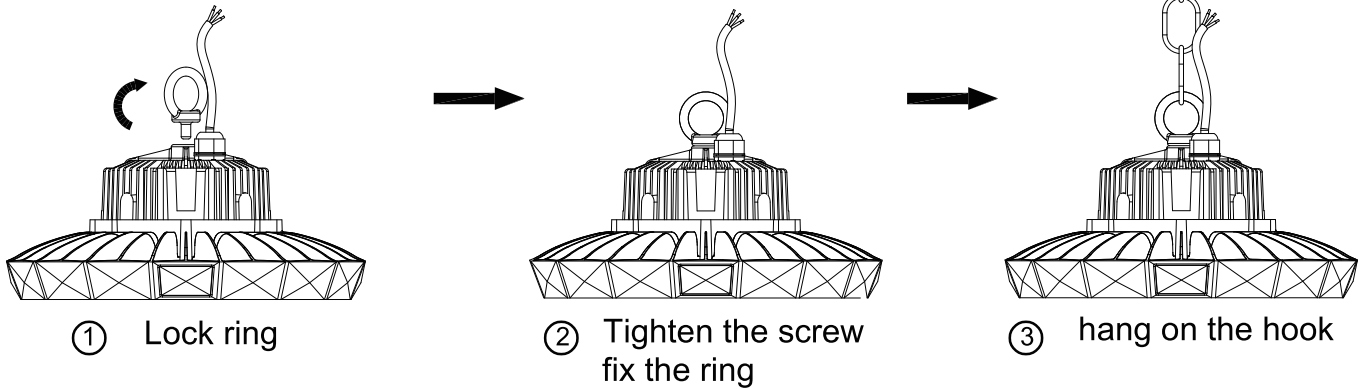


Beam angle

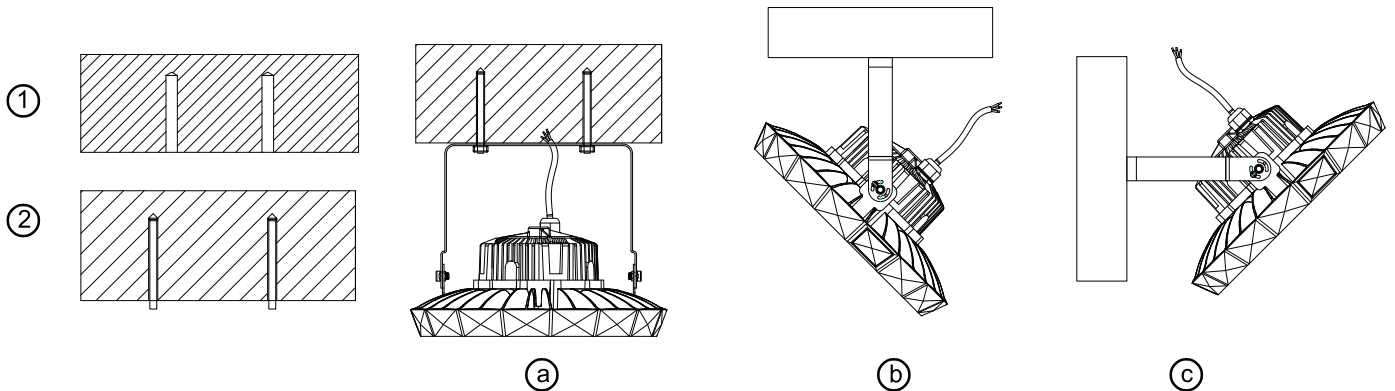


Installation

1、 Hook mounted



2、 Bracket mounted



Regular Safety Test

Test Item	Structure Classification	Testing Conditions	Testing parameters	Testing Time	Limiting Value
Hipot Test	■class I	input-shell	1000+2U(AC)	1min	10mA Max.
	□class II	input-shell	2000+4U(AC)	1min	10mA Max.
	□class III	input-shell	500Vac	1min	10mA Max.
Insulation Resistance	■class I	input-shell	500Vdc	1min	2MΩ Min.
	□class II	input-shell	500Vdc	1min	4MΩ Min.
	□class III	input-shell	100Vdc	1min	1MΩ Min.
Leakage Current	■class I	input-shell	220V/50Hz	10S	0.5mA Max.
	□class II	input-shell	220V/50Hz	10S	1.0mA Max.
Ground Resistance	■class I	Grounding wire-metal shell	10A	1min	500mΩ Max.

Product Certification

Certification Categories	Conform to the Standard Specification	MeetCertified	Certified
CCC	GB 7000.1; GB 7000.201; GB17743; GB17625.1	√	√
CQC	GB 7000.1; GB 7000.201; GB17743; GB17625.1; GB 18595	√	√
CE	EN 60598-1; EN60598-2-1; EN62493; EN55015; EN 61000-3-2; EN61000-3-3; EN61547; EN62471	√	√
UL	UL 1598; UL1993;UL8750; UL1598C	√	√
RCM	SAA 60598.1; SAA 60598.2.1; CISPR 15		
RoHS	2011/65/EU directive (RoHS 2.0)	√	√
ERP	Reg.1194/2012/EC & EU (NO) 874/2012/EC	√	√
DLC	DLC Technical Requirements Table, V3.0	√	√
Energy Star	ENERGY STAR® Program Requirements Product Specification for Luminaires (Light Fixtures) Eligibility Criteria Version 2.0	√	√

Anti-glare cover



Aluminum lampshade 60° 90°



PC lampshade 100°